

Specifications

Weights

Operating weight with ROPS canopy	1658 kg
Additional weight for cab	95 kg
Additional weight for steel tracks	53 kg

Engine

Make / model	Kubota / D722-E28-BC-5
Fuel / Cooling	Diesel / Liquid
Maximum power	9.9 kW
Torque at 2000 RPM (SAE Net)	42.2 Nm
Number of cylinders	3
Displacement	0.72 l
Bore / Stroke	67 mm / 68 mm
Alternator	12 V — 40 A
Starter	12 V — 1.4 kW

Controls

Steering	Direction and speed controlled by two hand levers or foot pedals
Hydraulics	Two joysticks control boom, bucket, dipperstick and upper structure slew

Hydraulic System

Pump type	Engine-driven
Pump 1 capacity	13.0 l/min at 2500 RPM
Pump 2 and 3 capacity	15.0 l/min at 2500 RPM
Auxiliary flow	30.0 l/min
System relief pressure for implement circuits	186 bar
System relief pressure for auxiliary circuits	172 bar
Control valve	Nine-spool parallel type, open centre

Performance

Digging force, dipperstick	8879 N
Digging force, bucket	16685 N
Drawbar pull	16280 N
Ground pressure with rubber tracks	28.4 kPa
Travel speed, low range	2.3 km/h
Travel speed, high range	3.8 km/h
Maximum reach at ground level	3912 mm
Maximum dump height	2548 mm
Maximum digging depth	2297 mm

Slew System

Boom swing, left	50°
Boom swing, right	90°
Slew circle	Single row shear-type ball bearings with internal gear
Slew drive	Orbit motor
Slew rate	10.2 RPM

Traction

Track width, rubber, standard	230 mm
Number of track rollers per side	3
Gradeability travelling down or backing up slopes	30°

Brakes

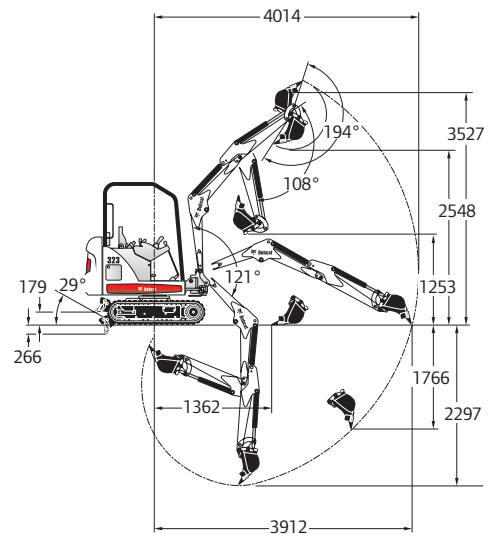
Travel brake	Hydraulic lock on motor
Slew brake	Hydraulic lock on motor and pin lock

Fluid Capacities

Cooling system	5.7 l
Engine lubrication plus oil filter	3.5 l
Fuel reservoir	27.5 l
Hydraulic reservoir	6.5 l
Hydraulic system	18.5 l

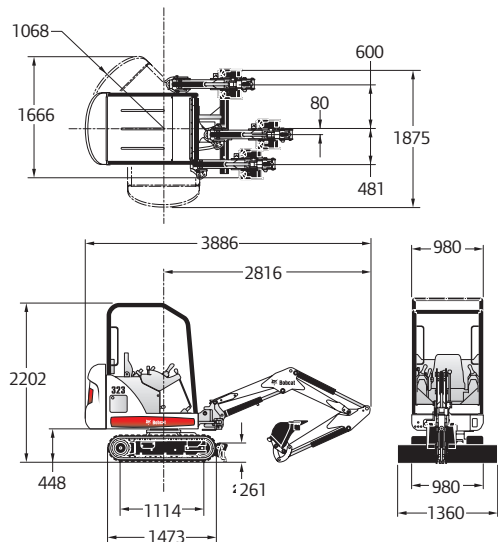
Working Range

All dimensions in mm.



Dimensions

All dimensions in mm.



Bobcat Europe
 J. Huysmanslaan 59
 B-1651 LOT, Belgium
 www.bobcat.com

