

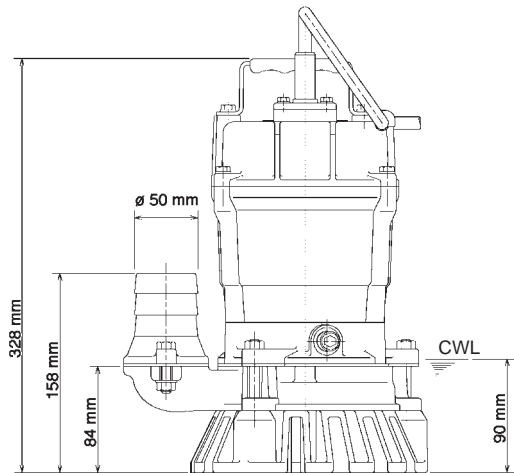
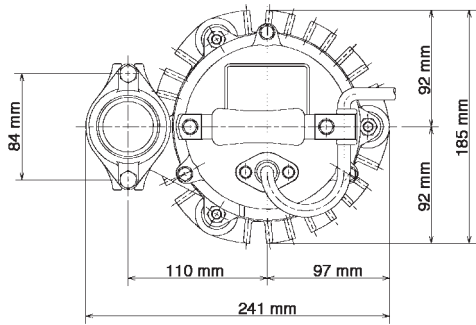


TSURUMI PUMP

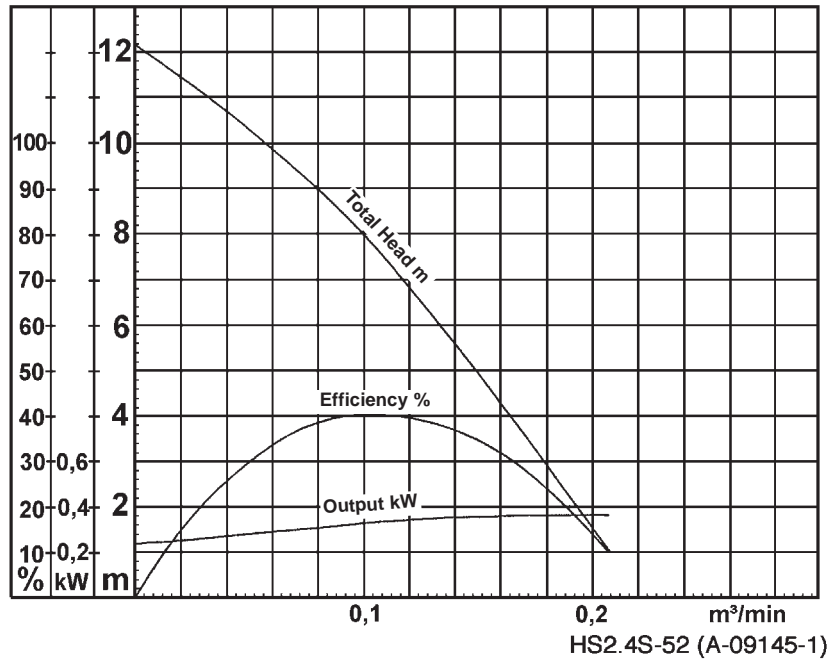
HS2.4S-52

- data sheet
 - parts list
 - exploded view
 - dimensional drawing
 - sectional drawing
 - performance curve
-
- parts list as Excel-spreadsheet

Data Sheet HS2.4S-52



CWL = Continuous running water level
HS2.4S-52 (A-09152-1)



Classification

Electric submersible pump
Protection class IP68
Depth of submersion max. 20m
Semi-vortex impeller with Agitator
Max. solid handling 7mm
Suitable for rain water, ground water, sand carrying water

Electric Motor

Dry-type submersible induction motor
Insulation class E, 2 poles, 2850 r.p.m.
Capacitor start
Voltage: 110V/230V, 50Hz, 1-phase
Power input: 0,58kW
Power output: 0,40kW
Nominal current: 5,5A(110V) / 2,6A(230V)
Start current: 14,2A(110V) / 6,83A(230V)

Electric cable

10m HO7RN-F 3Cx1,5mm² (110V)
10m HO7RN-F 3Cx1mm² (230V)

Motor Protection

Miniatur protector in windings
(snap-action bi-metal device)

Shaft Seal

Double mechanical seal in oil bath
additional lubrication by oil lifting device
Primary Seal:
silicon carbide on silicon carbide
Secondary Seal:
carbon on ceramic

Bearings

Shielded ball bearings, maintenance-free

Materials

Impeller: Urethane rubber
Casing: FCD700 (EN-GJS-700-2)
Motor frame: Aluminium alloy casting
Shaft: SUS403 (EN-X6Cr13)

Discharge Connection

2" (50mm) BS-Coupling (threaded flange)

Weight

11,3 kg (dry weight of the pump without cable)

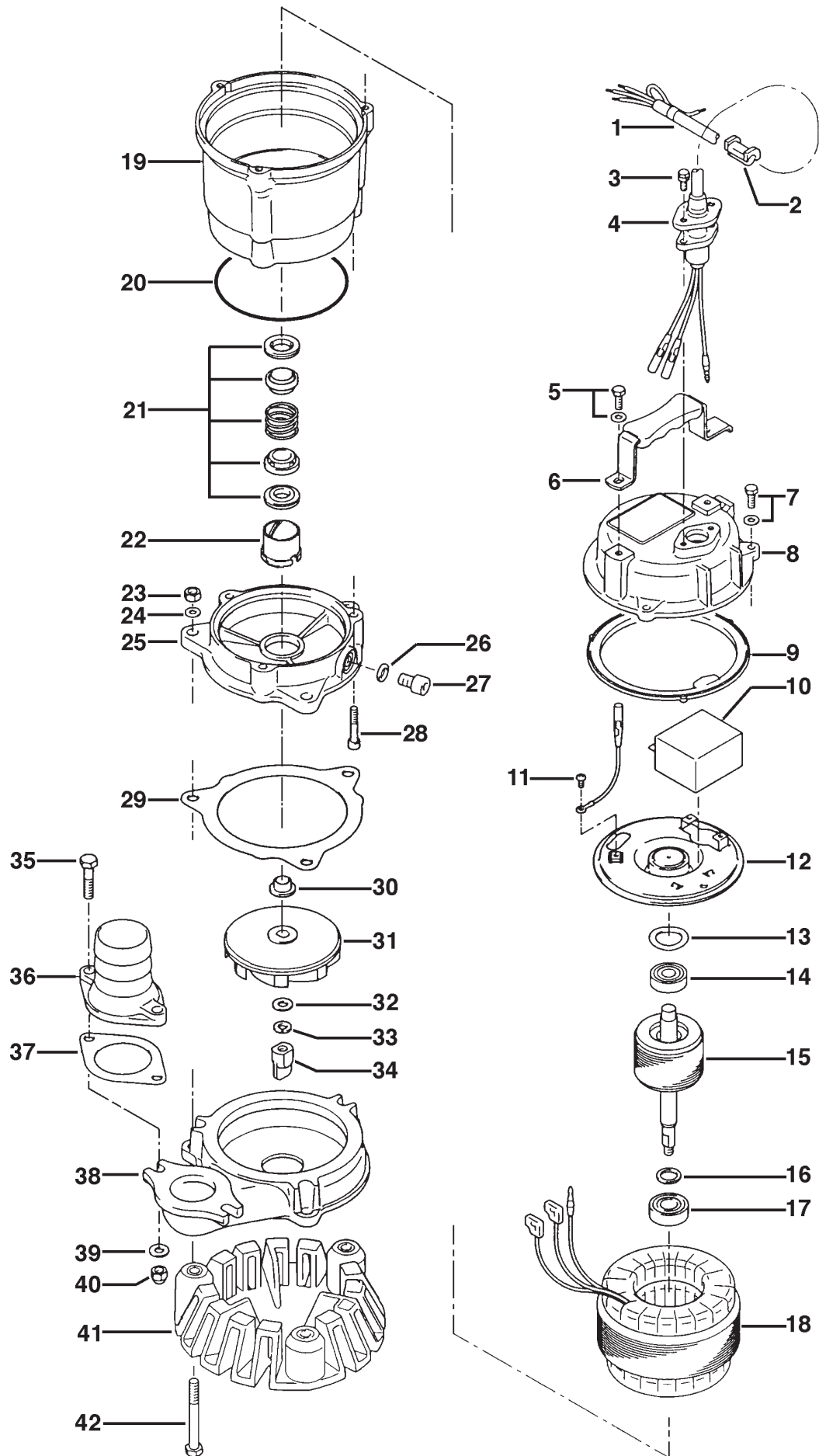
HS2.4S-52

Control No. IHS(2)-1-1-1

12.10.2006

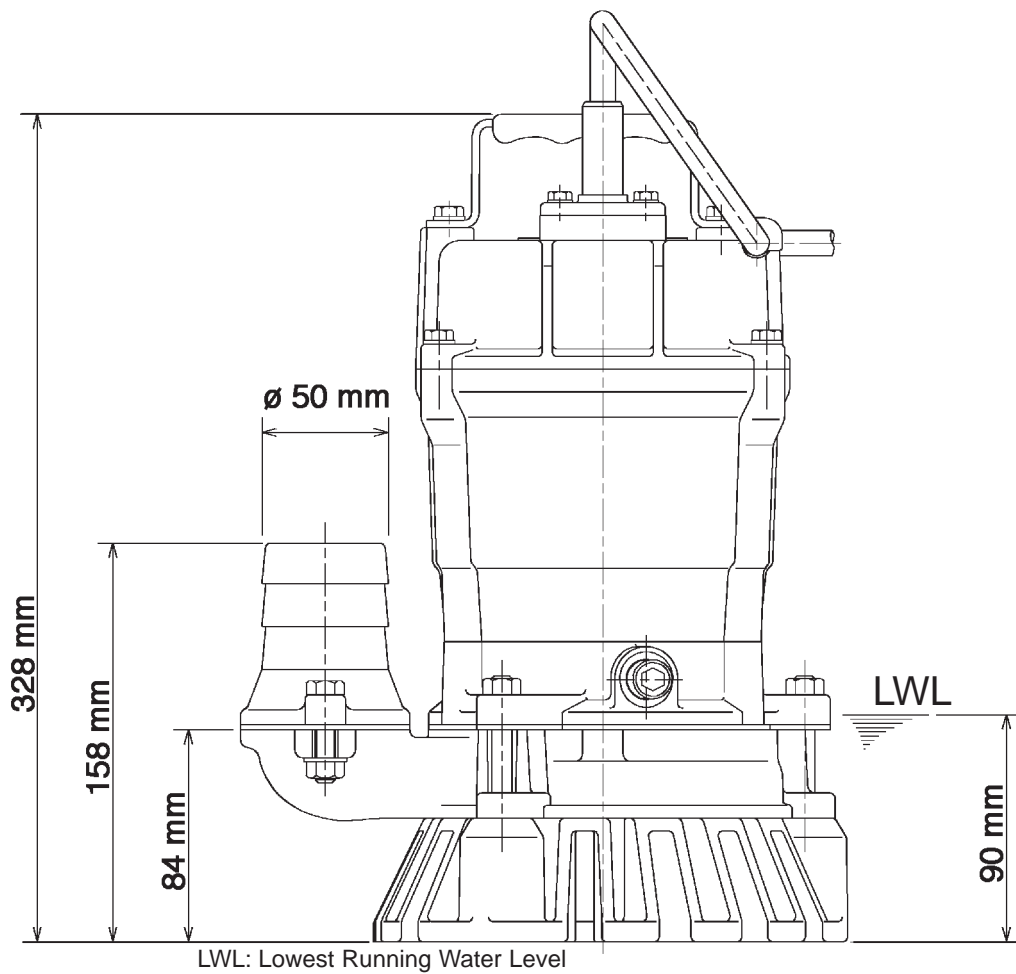
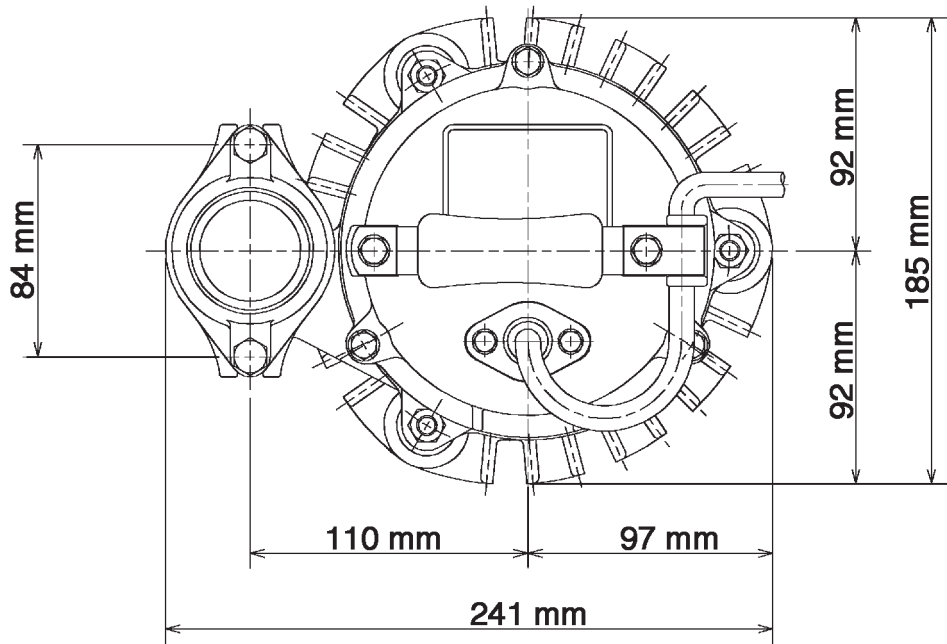
ITEM	CODE No.	DESCRIPTION	Q'TY	SIZE	MATERIAL	WEIGHT Kg	REMARKS
1	001-453-18	Cabtyre Cable Set 230V	10m	H07RN3Cx1mm ²	LB (HAR)		230V
1	001-873-18	Cabtyre Cable Set 110V	10m	H07RN3Cx1,5mm ²	LB (HAR)		110V
1A	061-TEG-01	Cable Repair Kit	1				
2	010-134-18	Cable Clip Rubber 230V	1	HS3-4	NBR		230V
2	010-163-16	Cable Clip Rubber 110V	1	HS3-4	NBR		110V
3	140-427-17	Hex. Bolt w/Plain Washer	2	M5x15	SUS304		
4	003-100-13	Gland	1		SUS304		
5	140-032-37	Hex. Bolt	2	M6x15	SWRM		
6	068-272-18	Handle	1	HS2.4(S)-50/60			
7	140-431-14	Hex. Bolt w/Plain Washer	3	M6x25	SUS304		
8	051-250-18	Head Cover	1	HSES-R	ADC	*	
9	121-546-14	Packing	1	ø120xø142x6,2l	NBR		
10	076-161-18	Capacitor 230V	1	580VAC-8MF			230V
10	076-159-13	Capacitor 110V	1	270VAC-33MF			110V
11	143-073-26	Cross-Recessed Pan Screw	1	M4x4	BSBM		
12	050-486-12	Motor Bracket	1		SECD		
13	142-192-16	Wave Washer	1	6201	SK-5		
14	052-100-15	Bearing	1	6201ZZC3			
15	055-889-14	Rotor and Shaft	1 Set				
16	061-180-17	Bearing Collar	1	ø15,1xø20x1,6l	SS		
17	052-101-16	Bearing	1	6202ZZC3			
18	056-C70-19	Stator 230V	1 Set	220-240V			230V
18	056-C67-13	Stator 110V	1 Set	110-120V			110V
19	064-516-15	Motor Frame	1	Blue	ADC		
20	122-133-17	O-Ring	1	G-110	NBR	*	
21	025-291-10	Mechanical Seal	1	W-14VL	SIC+CCBN		Oil 150ml (ISO VG32)
22	030-000-09	Oil Lifter	1	W-14VL	Resin		
23	141-005-35	Hex. Nut	3	M8	S35C		
24	142-127-23	Plain Washer	1	M8	SPC		
25	029-000-17	Oil Casing	1	HS2.4(S)-51/61	FC		
26	121-246-11	Packing	1	ø10,3xø16x2l	PE-sheet	*	
27	035-124-12	Oil Plug	1	M10x15	SUS304		
28	140-256-26	Hex. Socket Cap Screw	3	M6x35	SCM		
29	121-000-20	Packing	1	HS-4E	NR	*	
30	071-292-14	Shaft Sleeve	1	LB3-250/480	SUS304		
31	021-L80-12	Impeller 50Hz	1	50Hz			
31	021-L79-18	Impeller 60Hz	1	60Hz			
32	142-127-23	Plain Washer	1	M8	SPC		
33	142-163-34	Spring Washer	1	M8	SWRH		
34	024-174-13	Stirrer	1	HS2.4S(M8)	SFM		
35	140-057-38	Hex.Bolt	2	M8x35	SWRM		
36	032-144-19	Hose Coupling	1	50mm(LB)	ADC		
36	032-432-17	Screwed Flange	1	50mm(P.C.84)			
37	121-138-19	Packing	1	LB(P.C.84)	NBR	*	
38	020-000-41	Pump Casing	1	SK2.4S	FC		
39	142-127-23	Plain Washer	2	M8	SPC		
40	141-005-34	Hex.Nut	2	M8	S35C		
41	023-453-16	Strainer Stand	1	SK2.4S	PVC		
42	140-064-12	Hex. Bolt	3	M8x70	SUS304		
	173-550-12	Packing O-Ring Set	1 Set	(*)			

Exploded View HS2.4S-52



HS2.4S-52

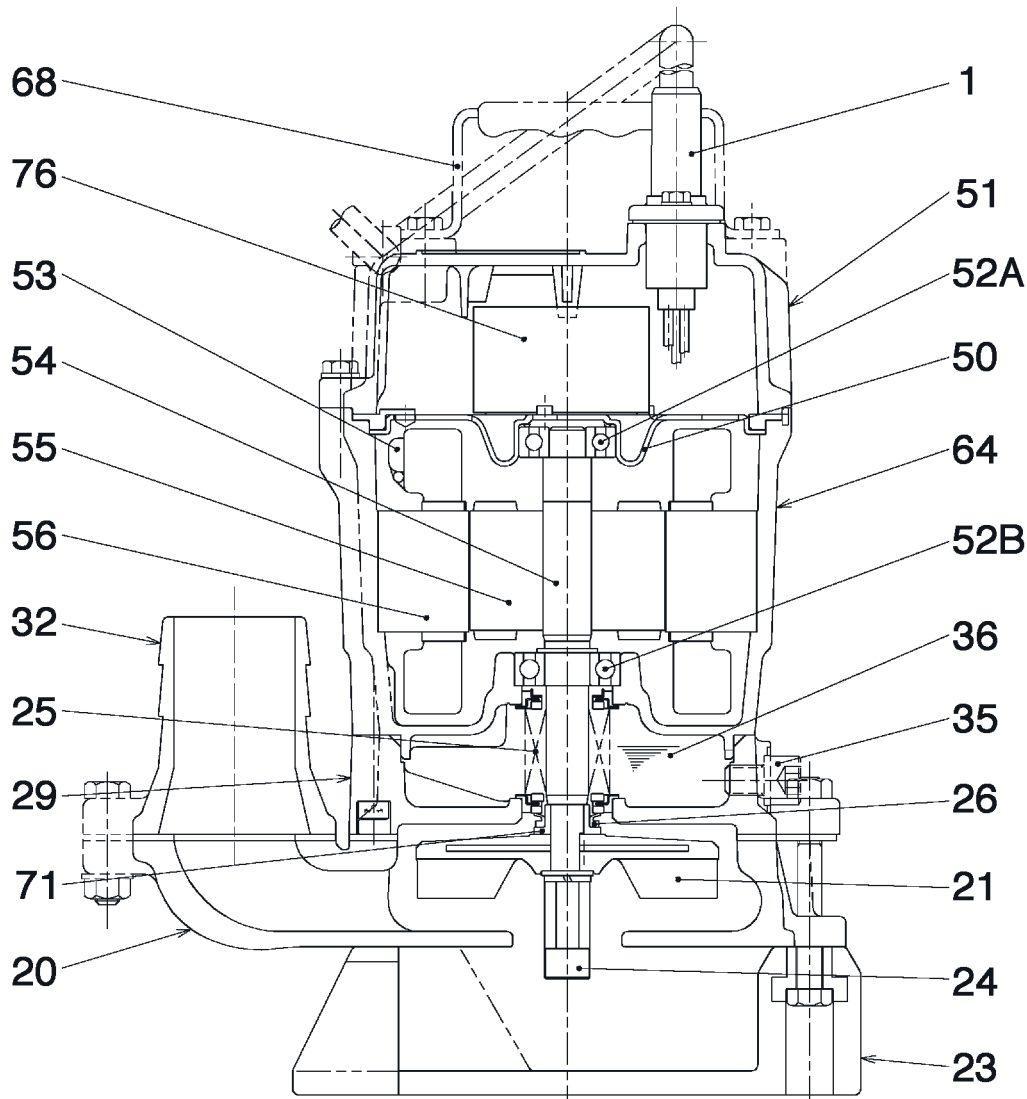
Dimensional Drawing HS2.4S-52



LWL: Lowest Running Water Level

HS2.4S-52 (A-09152-1)

Sectional Drawing HS2.4S-52



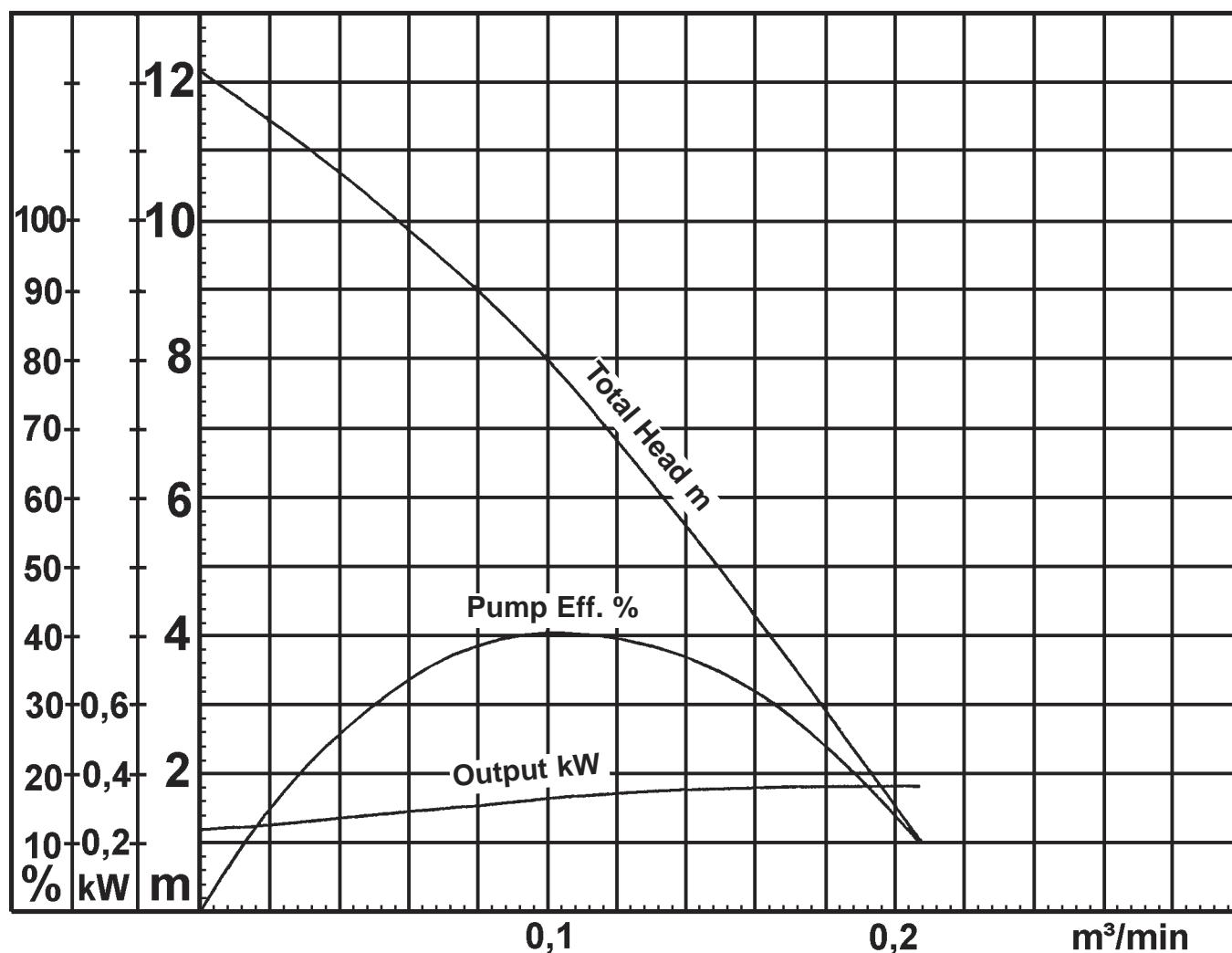
HS2.4S-52 (A-09153-1)

No.	Description	Qty.	Remarks	No.	Description	Qty.	Remarks
1	Cable	1	H07RN3Cx1mm≈x10m	51	Head Cover	1	Aluminium die casting
20	Pump Casing	1	FCD700 (EN-GJS-700-2)	52A	Upper Bearing	1	6201ZZC3
21	Impeller	1	Urethane rubber	52B	Lower Bearing	1	6202ZZC3
23	Strainer Stand	1	PVC	53	Motor Protector	1	
24	Stirrer	1	Sintered Alloy	54	Shaft	1	SUS403 (EN-X6Cr13)
25	Mechanical Seal	1	W-14VL	55	Rotor	1	
26	V-Seal	1	Nitril Butadiene Rubber	56	Stator Complete	1	
29	Oil Casing	1	FC200 (EJ-GJL-200)	64	Motor Frame	1	Aluminium die casting
32	Hose Coupling	1	Aluminium alloy casting	68	Handle	1	Steel plate/natural rubber
35	Oil Plug	1	SUS304 (EN-X5CrNi18-10)	71	Shaft Sleeve	1	SUS304 (EN-X5CrNi18-10)
36	Lubricant	1	Turbine oil ISO VG 32	76	Capacitor	1	
50	Motor Bracket	1	Steel plate				

Pump Performance Curve

HS2.4S-52

Discharge Bore	50 mm
Total Head	8 m
Capacity	0,10 m ³ /min
Motor Output	0,40 kW
Motor Input	0,58 kW
Phase	1
Voltage	110/230 V
Frequency	50 Hz
Rated Current	5,5/2,6 A
Starting Current	14,2/6,83 A
Poles	2
Revolution	S.S. 2850 r.p.m.
Starting Method	Capacitor
Insulation Class	E



HS2.4S-52 (A-09145-1)